

## HB-RA003

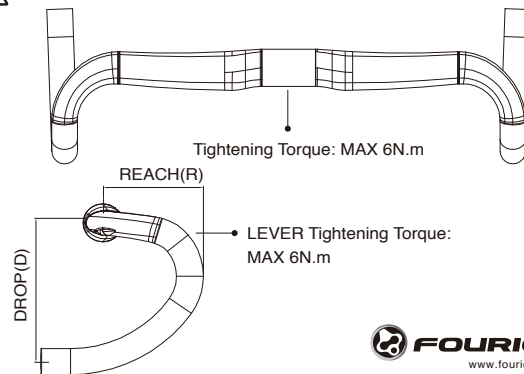
### Handlebar Instructions

- Extra big diameter on the bar bore to achieve better stiffness
- One piece monocoque construction
- Meet safety regulation
- Fluid mechanics design on bar top to reduce drag/increase the hand-hold area
- Lower bar area to use compression ratio design for multiple hand-hold position

- ▶ Material: Carbon fiber
- ▶ Spec: 35mm x Width (c-c) □400mm □420mm □440mm
- ▶ Drop: 128mm / Reach: 78mm
- ▶ Bar type: compact / Weight: 225g (W420mm)



### ⚠ WARNING



## HB-RA003

### 使用說明書

- 立管鎖緊處特別加大管徑以達到最佳的強度
- 採用一體成型製造方式
- 每支車手皆通過安規測試
- 上把手握處採流體力學設計有效減少風阻和增加手握面積
- 下把使用壓縮比例設計可變換多重手握位置

- ▶ 材質: 碳纖維
- ▶ 管徑: 35mm x 寬度(c-c) □400mm □420mm □440mm
- ▶ 折彎高度: 128mm / 往前延伸: 78mm
- ▶ 把手□型: 壓縮型折彎
- ▶ 重量: 225g (W420mm)



### ⚠ 請注意

