

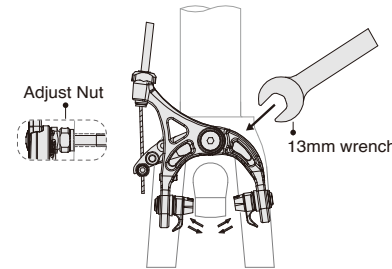
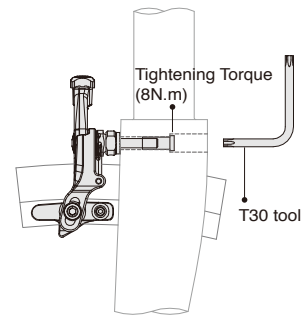
Brake Instructions

BR-DX001

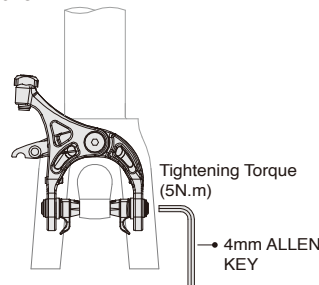
- The use of leverage increases the braking force and the single-axis design to reduce the weight of whole brake set.
- Alloy 6066 material effectively enhance the overall strength and improve hard to stress corrosion.
- The weight of whole brake set is being improved to collocate with T1-64 titanium screws.
- Full CNC manufacturing comes out perfect appearance and good mating of tolerance.
- Collocate with the Swiss stop brake shoes.
- Has been approved by CEN test standards.

- ▶ Material: AL6066 T6 CNC Made
- ▶ Brake Shoes: CNC Cassette
- ▶ Bolt: Main Bolt T1-64
- ▶ Dimension: C-C 39-51mm
- ▶ Option: Swiss Stop carbon rim pads available
- ▶ Color: Polish anodize
- ▶ Weight: 210g

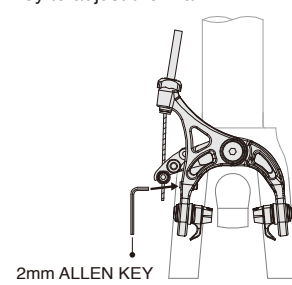
- 1** Use T30 tool to fit caliper brake on the fork, torque: 8Nm. **4** This brakes is central axis design, if there is a lateral actuation not smooth, please use 13mm wrench to adjust it properly.



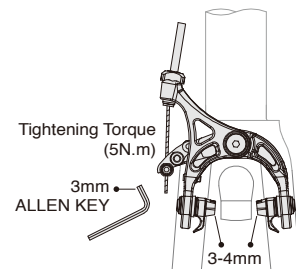
- 2** Use 4mm allen key to align brake shoes in right position, torque: 5Nm.



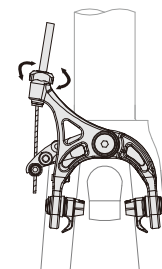
- 5** For slightly side play, please use 2mm allen key to adjust the Y arm.



- 3** Install/tighten brake cable casing align brake shoes to keep 3~4mm width.



- 6** Before riding, please make sure the brake is installed/adjusted properly.



FOURIERS
www.fouriers-bike.com

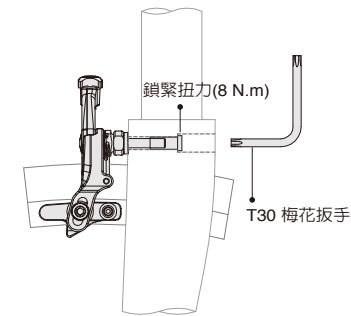
使用說明書

BR-DX001

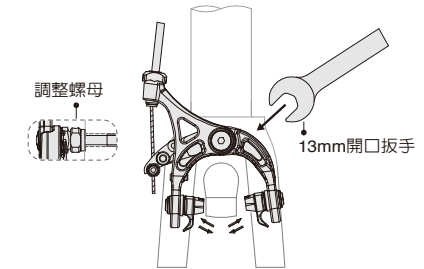
- 利用槓桿原理增加煞車力並採用單軸的設計有效降低整體重量
- 採用AL-6066材質有效提升整體強度與改善硬力腐蝕。
- 使用T1-64鈦合金螺絲大幅改善整體重量
- CNC製造呈現完美的外觀與最佳的配合間隙
- 搭配瑞士進口煞車膠
- 已通過CEN測試標準

- ▶ 材質: 6066-T6 高強度鋁合金
- ▶ 刹車塊: CNC製造
- ▶ 螺絲: 大部分為鈦64合金
- ▶ 尺寸: C-C 39-51毫米
- ▶ 選項: Swiss Stop 碳纖維刹車膠
- ▶ 顏色: 表面拋光陽極處理
- ▶ 重量: 210克

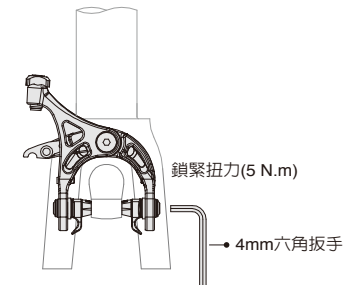
- 1** 請使用T30工具將夾器鎖緊於叉上，建議扭力值8N.m。



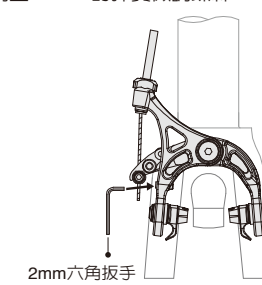
- 4** 本夾器為中心軸設計，如有單邊作動不順暢，請使用13mm開口扳手調整至正確位置，調整結束後，請再次確認回彈位置是否左右平均。



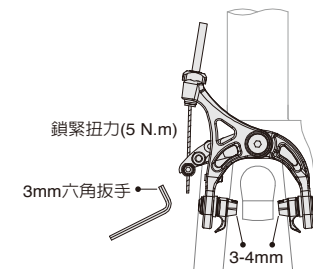
- 2** 將煞車皮調整至正確位置，請使用4mm ALLEN KEY，建議扭力值5N.m。



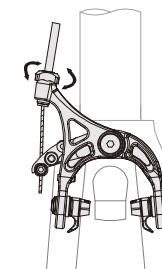
- 5** 如有些微的單邊偏擺，請使用2mm 六角扳手調整Y ARM的彈簧微調螺絲。



- 3** 將煞車線鎖緊於夾器固定螺絲上並控制煞車皮寬度約3-4mm，請使用3mm ALLEN KEY，鎖緊煞車內線，內線固定螺絲建議鎖緊扭力值5N.m。



- 6** 夾器鬆緊度可從上方的調整螺母找到最合適的感覺，騎乘前請再次確認所有結構都有安口鎖固。



FOURIERS
www.fouriers-bike.com